

Goodrive27 系列灵巧型变频器快速使用指南

本指南简要介绍了 GD27 变频器的外围接线、端子、键盘、快速运行、常用功能参数设置、常见故障及对策、产品尺寸和能效数据。

拨打服务热线 400-700-9997 或访问 www.invt.com.cn 获取更多信息及资源下载。保修条款详见完整版电子说明书。

警告、危险、至少等待时间 5 分钟 1PH 220V 0.4-2.2kW; 3PH 220V 0.4-4kW; 3PH 380V 0.75-7.5kW

1 外围接线

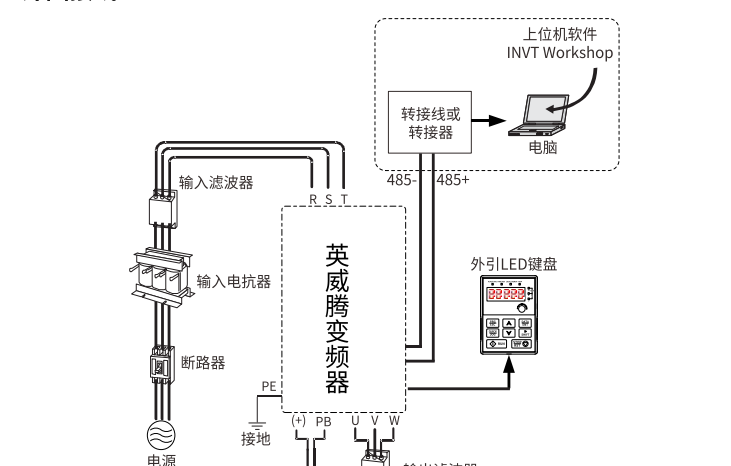
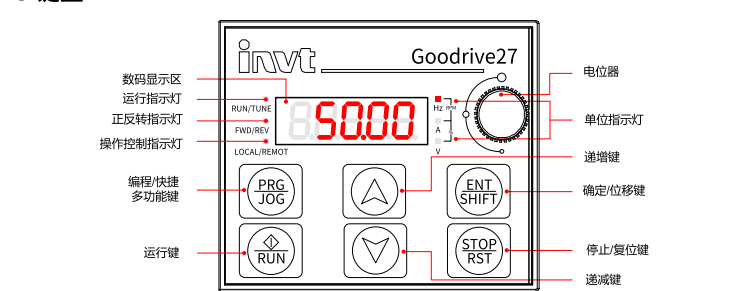


表 2-1 变频器端子说明

Table with 2 columns: 端子标识 (Terminal Marking) and 功能说明 (Function Description). Lists terminals like R, S, T, U, V, W, PE, and control terminals like AO1, AO2, RO1A, etc.

3 键盘



LED 键盘显示区对应内容 (LED Keypad Display Corresponding Content) table with columns for display, code, and meaning.

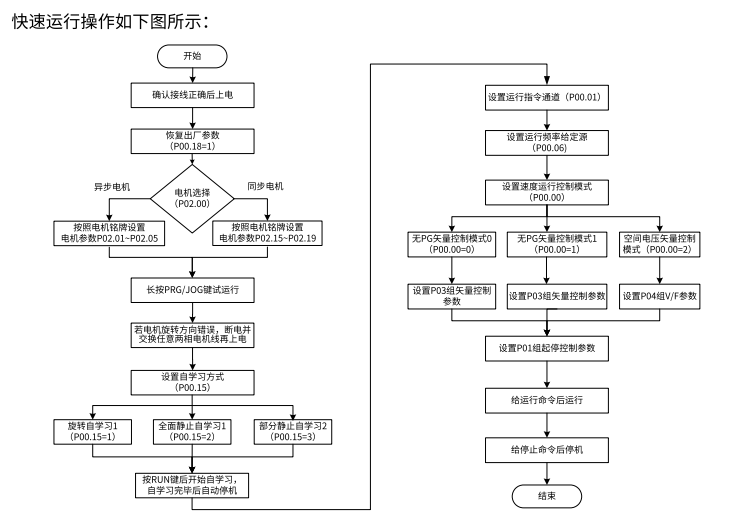
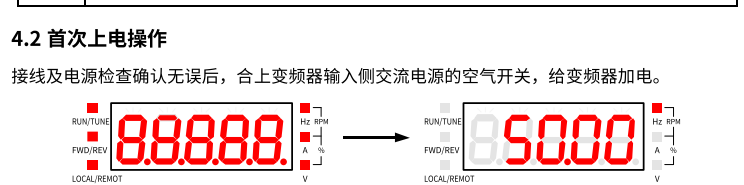
Indicator Light Status Table (指示灯 状态 含义) with columns for indicator name, status, and meaning.

Indicator Light Status Table (指示灯 状态 含义) with columns for indicator name, status, and meaning.

Button Function Table (按键 功能说明) with columns for button name and function description.

4 快速运行

- 4.1 上电前检查: 请确认所有的端子已正确紧固连接; 请确认电机与变频器功率匹配。
4.2 首次上电操作: 接线及电源检查确认无误后, 合上变频器输入侧交流电源的空气开关, 给变频器加电。



5 常用功能参数设置

下述功能参数表仅列出部分常见功能参数, 并进行了简要描述、列举典型取值。'O': 表示该参数的设定值在变频器处于停机、运行状态中, 均可更改; '●': 表示该参数的数值是实际检测记录值, 不能更改。

Common Function Parameter Setting Table (常用功能参数设置) with columns for function code, name, description, default value, and modification.

Main parameter table for Goodrive27 with columns: 功能码 (Function Code), 名称 (Name), 说明 (Description), 缺省值 (Default Value), 更改 (Modification).

Main parameter table for Goodrive27 with columns: 功能码 (Function Code), 名称 (Name), 说明 (Description), 缺省值 (Default Value), 更改 (Modification).

6 常见故障及对策

Common Faults and Countermeasures Table (常见故障及对策) with columns: 故障代码 (Fault Code), 故障类型 (Fault Type), 可能的原因 (Possible Causes), 故障解决方法 (Fault Solution).

Main parameter table for Goodrive27 with columns: 故障代码 (Fault Code), 故障类型 (Fault Type), 可能的原因 (Possible Causes), 故障解决方法 (Fault Solution).

Product Dimensions Table (产品尺寸) with columns: 产品型号 (Product Model), 外形结构 (Form Structure), 外形尺寸 (mm) (W1, H1, D1, W2, H2), 安装孔位 (mm) (D1, D2), 安装孔径 (mm) (Ø6, Ø8).

图 7-1 外形结构 A、B 的尺寸和孔位示意

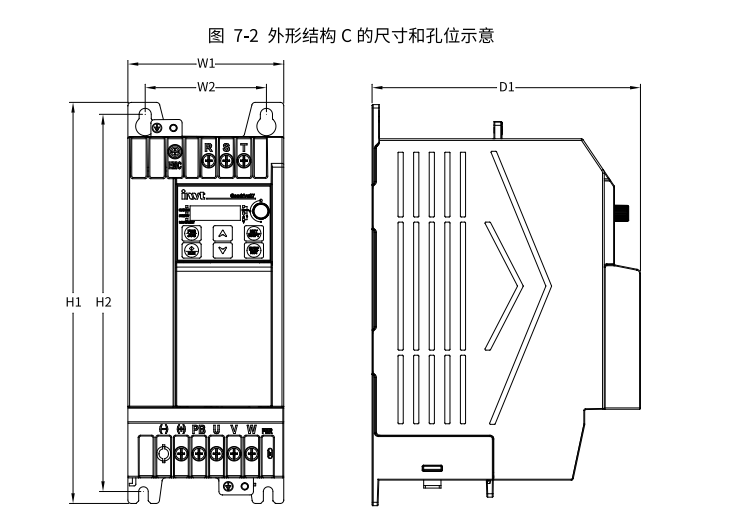


图 7-2 外形结构 C 的尺寸和孔位示意

Product Dimensions Table (产品尺寸) with columns: 产品型号 (Product Model), 外形结构 (Form Structure), 外形尺寸 (mm) (W1, H1, D1, W2, H2), 安装孔位 (mm) (D1, D2), 安装孔径 (mm) (Ø6, Ø8).

Product Dimensions Table (产品尺寸) with columns: 产品型号 (Product Model), 相对损耗 (%) (Relative Loss), 待机损耗 (W) (Standby Loss), IE 等级 (IE Class).

表 A-2 额定规格

Rated Specifications Table (额定规格) with columns: 产品型号 (Product Model), 额定功率 (kW) (Rated Power), 额定输出功率 (kW) (Rated Output Power), 额定输出电流 (A) (Rated Output Current), 最高工作温度 (°C) (Max. Working Temp.), 额定电源频率 (Hz) (Rated Power Frequency), 额定电源电压 (V) (Rated Power Voltage).

注意: -XX 表示空载-EU.

Goodrive 27 Series Smart VFD Quick Start Guide

Start Guide

This guide briefly describes the external wiring, terminals, keypad, quick running, common function parameter settings, common faults and solutions, product dimensions, and energy efficiency data of GD27 series variable-frequency drive (VFD).

Warning

- Failure to provide the basic installation and commissioning information, failure to comply with the safety instructions and installation and commissioning instructions in the relevant documentation may result in accidents such as equipment damage, personal injury, or even death.

Danger

- Do not perform any operations including wiring, inspection, or component replacement when power supply is applied. Before performing these operations, ensure all the input power supplies have been disconnected, and wait for at least the time designated on the VFD.

Table with 2 columns: Minimum waiting time, VFD model. Rows include 1PH 220V 0.4-2.2kW, 3PH 220V 0.4-4kW, 3PH 380V 0.75-7.5kW.

1 External wiring

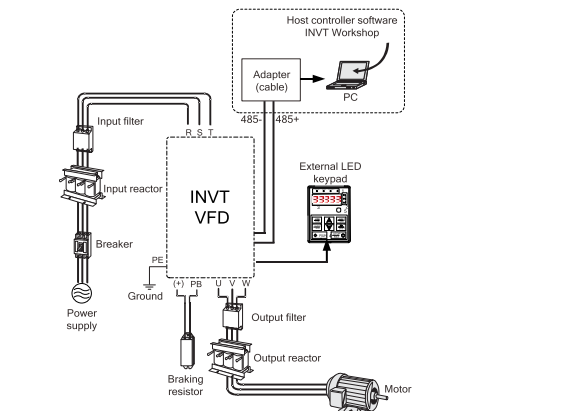


Figure 2-1 Typical VFD wiring

2 Terminal

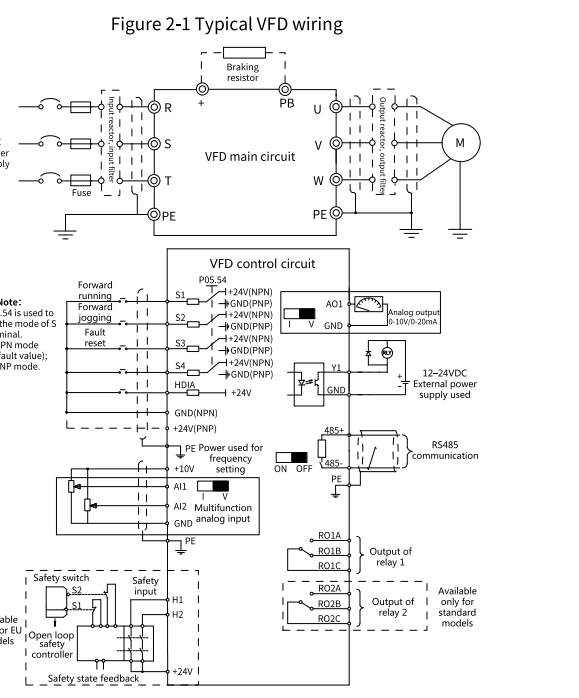


Table 2-1 VFD terminal description

Table with 2 columns: Terminal, Description. Lists terminals R, S, T, U, V, W and their connections to AC input/output and DC bus.

Table with 3 columns: Terminal, Description, Meaning. Lists terminals for power, control, and status.

3 Keypad

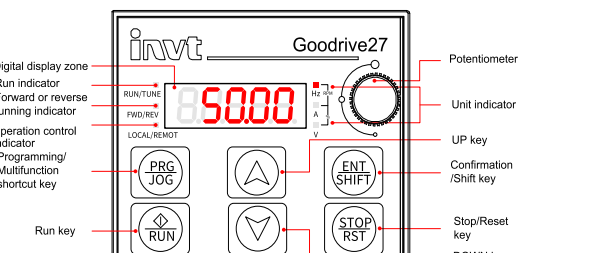


Table showing digital display on LED keypad with columns for Display, Means, and corresponding alphanumeric characters.

Table with 3 columns: Indicator, Status, Meaning. Describes the status of the VFD based on indicator lights.

Table with 3 columns: Indicator, Status, Meaning. Lists indicators for unit status and frequency.

Table with 2 columns: Key, Function. Describes the functions of various physical keys on the keypad.

4 Quick running

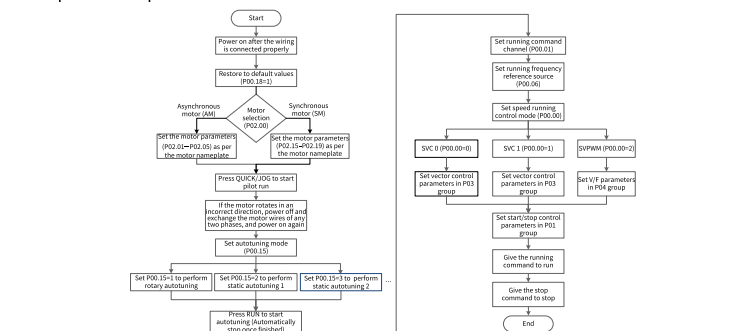
4.1 Check before power-on

- Ensure that all terminals have been securely connected.
- Ensure that the motor power matches the VFD power.

4.2 Operating upon first power-on

After confirming the wiring and power are correct, close the air switch of the AC power at the VFD input side to power on the VFD.

The quick startup flowchart is as follows:



5 Common function parameter setup

The following briefly describes only some common function parameters and typical values. '○' indicates that the value of the parameter can be modified when the VFD is in stopped or running state.

Table with 5 columns: Function code, Name, Description, Default, Modify. Lists parameters for speed control, channel, and torque boost.

Large table with 5 columns: Function code, Name, Description, Default, Modify. Lists numerous parameters for motor settings, protection, and communication.

Large table with 5 columns: Fault code, Name, Description, Default, Modify. Lists various fault codes and their corresponding solutions.

Large table with 4 columns: Fault code, Fault type, Possible cause, Solution. Provides detailed troubleshooting steps for common faults.

Table with 4 columns: Fault code, Fault type, Possible cause, Solution. Continues the list of faults and solutions.

7 Product dimensions

Figure 7-1 Dimensions and hole positions for VFDs in frames A and B

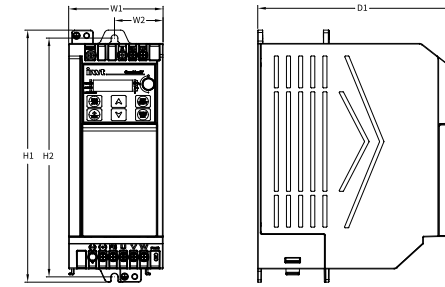


Table 7-1 Dimensions and hole positions for VFDs in frames A and B

Table with 5 columns: Model, Frame, Outline dimensions (mm), Mounting hole distance (mm), Mounting hole diameter (mm). Lists dimensions for various VFD models.

Table with 5 columns: Model, Frame, Outline dimensions (mm), Mounting hole distance (mm), Mounting hole diameter (mm).

Note: -XX indicates none or -EU.

Figure 7-2 Dimensions and hole positions for VFDs in frame C

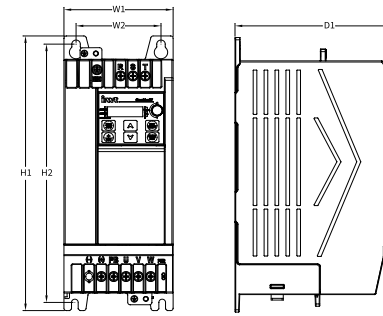


Table 7-2 Dimensions and hole positions for VFDs in frame C

Table with 5 columns: Model, Frame, Outline dimensions (mm), Mounting hole distance (mm), Mounting hole diameter (mm).

Note: -XX indicates none or -EU.

Appendix A Energy efficiency data

Table A-1 Power losses and IE class

Table with 10 columns: Model, Relative loss (%), Stand by loss (W), IE class. Shows energy efficiency data for various models.

Note: -XX indicates none or -EU.

Table A-2 Rated specifications

Table with 7 columns: Model, Apparent power (kVA), Rated output power (kW), Rated output current (A), Max. working temperature (°C), Rated power frequency (Hz), Rated power voltage (V).

Note: -XX indicates none or -EU.



66001-01068